



CERBERUS / X

The Worlds Smallest ATX / EATX PC Case

SLIGER

SCREWS

The Cerberus X comes with a total of 5 different screws. For the purposes of this guide we will assign a unique color to each of the screws to signify their locations through out this guide.



VIOLET 6-32 x 1/4" HEX HEAD

Power Supply
3.5" HDDs



RED M3 x 5mm FLAT HEAD

Power Cord Mount Bracket
SSDs / SSD brackets



GREEN M3 x 6mm PAN HEAD

PCIe Cards and Card Slot Dust Cover
Motherboard
Power Supply Rear Plate
2.5" SSD and HDDs



PINK M3 x 8mm FLAT HEAD

Power pig tail



GREY M3 x 12mm SOCKET CAP

Case Handle

MOTHERBOARD

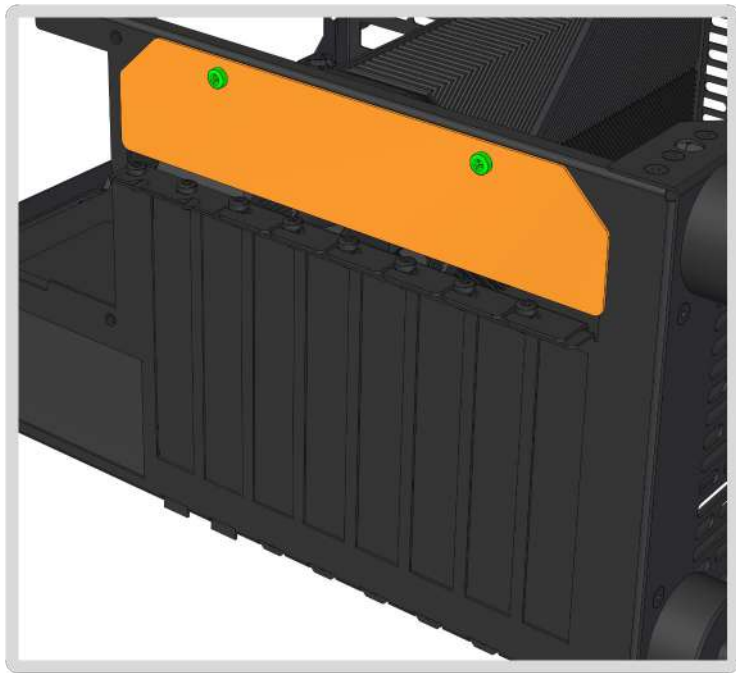


Chassis hardware kit includes **9 x M3 x 6mm PAN HEAD** screws for mounting the motherboard.



SIDE HINGE BRACKET is secured with **2x M3 x 5mm FLAT HEAD**

CARD SLOT DUST COVER / HANDLE BRACKET



The card slot dust cover included with the base chassis hardware kit installs on the outside above PCIe card slot cutouts using **2x M3 x 6mm PAN HEAD** screws.

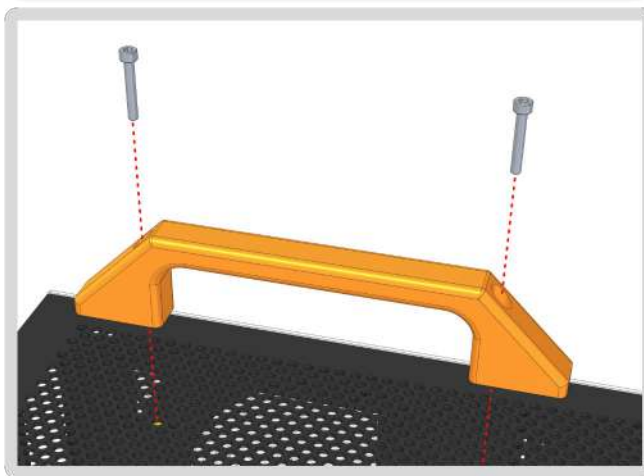
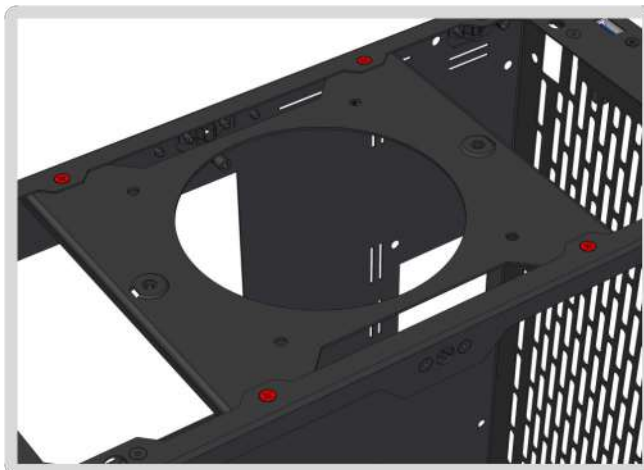
Additional Hardware:

5x M3 x 6mm PAN HEAD for Cerberus

8x M3 x 6mm PAN HEAD for Cerberus

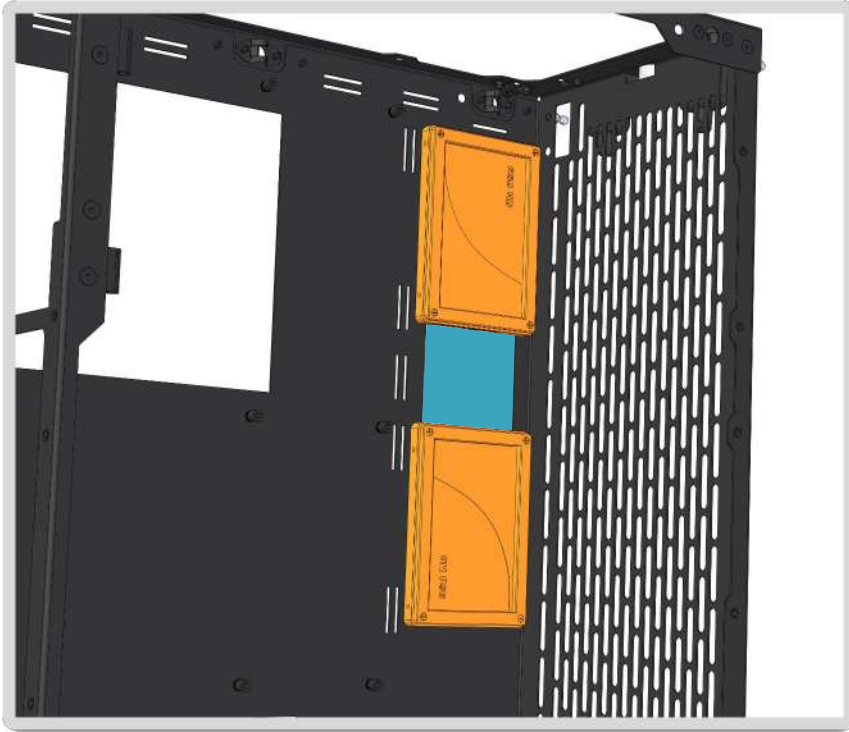
X PCIe card mounting are shown.

HANDLE KIT BRACKET mounts as shown with **4x M3 x 5mm FLAT HEAD** screws. Attach top panel and then install handle with **2x M3 x 25mm SOCKET CAP**. The 4x holes around cutout are for mounting a 120mm or 140mm fan with 120mm spacing.



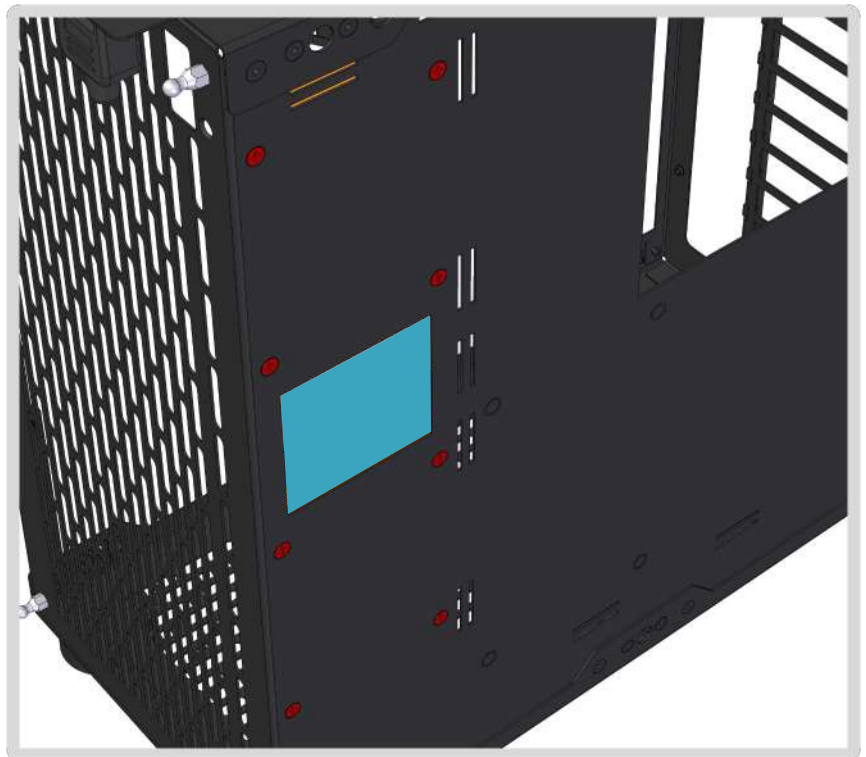
SSD MOUNTING

By default every Cerberus and Cerberus X chassis has the ability to mount two 2.5" HDDs or SSDs. Mounting is shown below using the provided **M3 x 5mm FLAT HEAD** screws.



SSDs or HDDs are mounted as shown with the connector ends for SATA cable and SATA power cable facing the open cuts (**BLUE**) in the main chassis frame.

Each SSD mounts with **4x M3 x 5mm FLAT HEAD** screws.



SSD MOUNTING CONT.

The other SSD mounting location is on the front open side. Using our Window SSD Bracket secured to chassis with **2x M3 x 5mm FLAT HEAD**



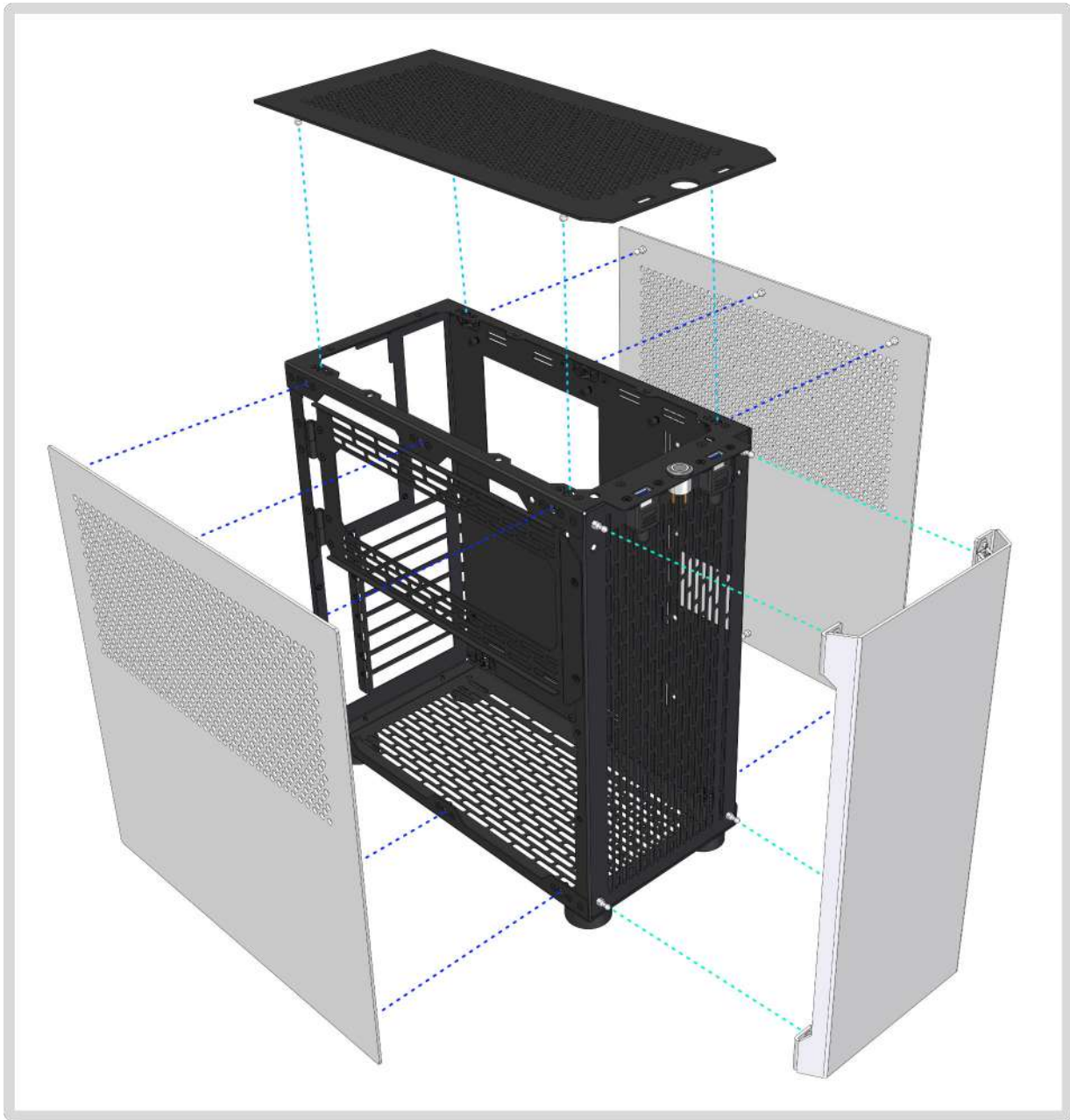
SSDs mount as shown with the connector ends for SATA cable and SATA power cable facing the rear of the main chassis frame.

Each SSD mounts with **2x M3 x 6mm PAN HEAD** screws.



EASY-OFF PANELS

All front, top and side panels have tool-less removal via their ball-stud mounting points. However, be careful as panels may be very tight on the first few times on/off.



REASSEMBLY NOTES:

Side panels are reversible to either side.
Front Panels can be installed with either end at top or bottom.

ATX/SFX PLATE KITS

The ATX PLATE KIT is for mounting full-sized ATX form factor power supplies on the rear opening.



The ATX power supply attaches to the ATX Plate with **4x 6-32 x 1/4" HEX HEAD** and the ATX plate attaches to the chassis with 4x **M3 x 6mm PAN HEAD** screws.

The SFX PLATE KIT is for mounting SFX form factor power supplies on the rear opening.

The SFX power supply attaches to the SFX Plate with **6x 6-32 x 1/4" HEX HEAD** and the SFX plate attaches to the chassis with 4x **M3 x 6mm PAN HEAD** screws.



SFX INTERNAL MOUNT

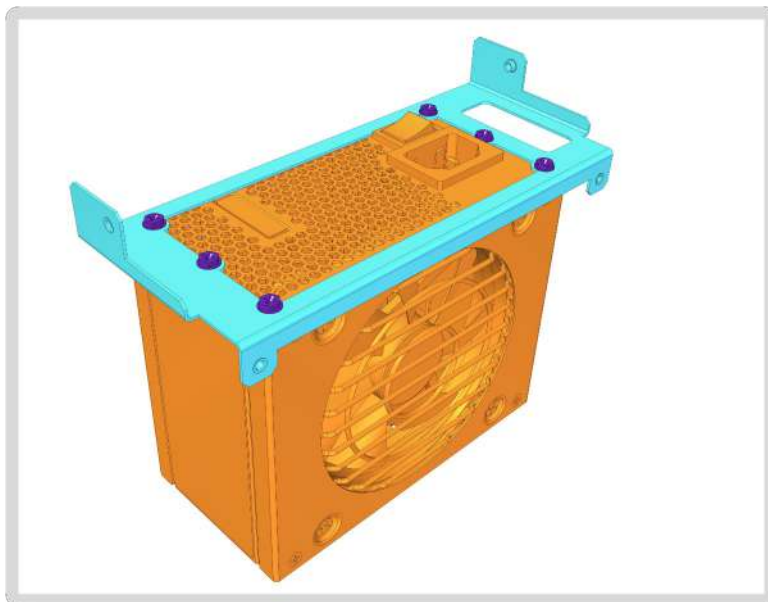
Our SFX Internal kit consists of multiple parts; a rear plate with PC power inlet and two external water-cooling holes with included hole plugs and the SFX power supply internal bracket.



The rear plate attaches to the chassis with **4x M3 x 6mm PAN HEAD** and the power pig tail attaches to plate with **2x M3 x 8mm FLAT HEAD**

SFX INTERNAL MOUNT CONT.

Attach the SFX power supply to the internal bracket with up to **6x 6-32 x 1/4" HEX HEAD** screws.



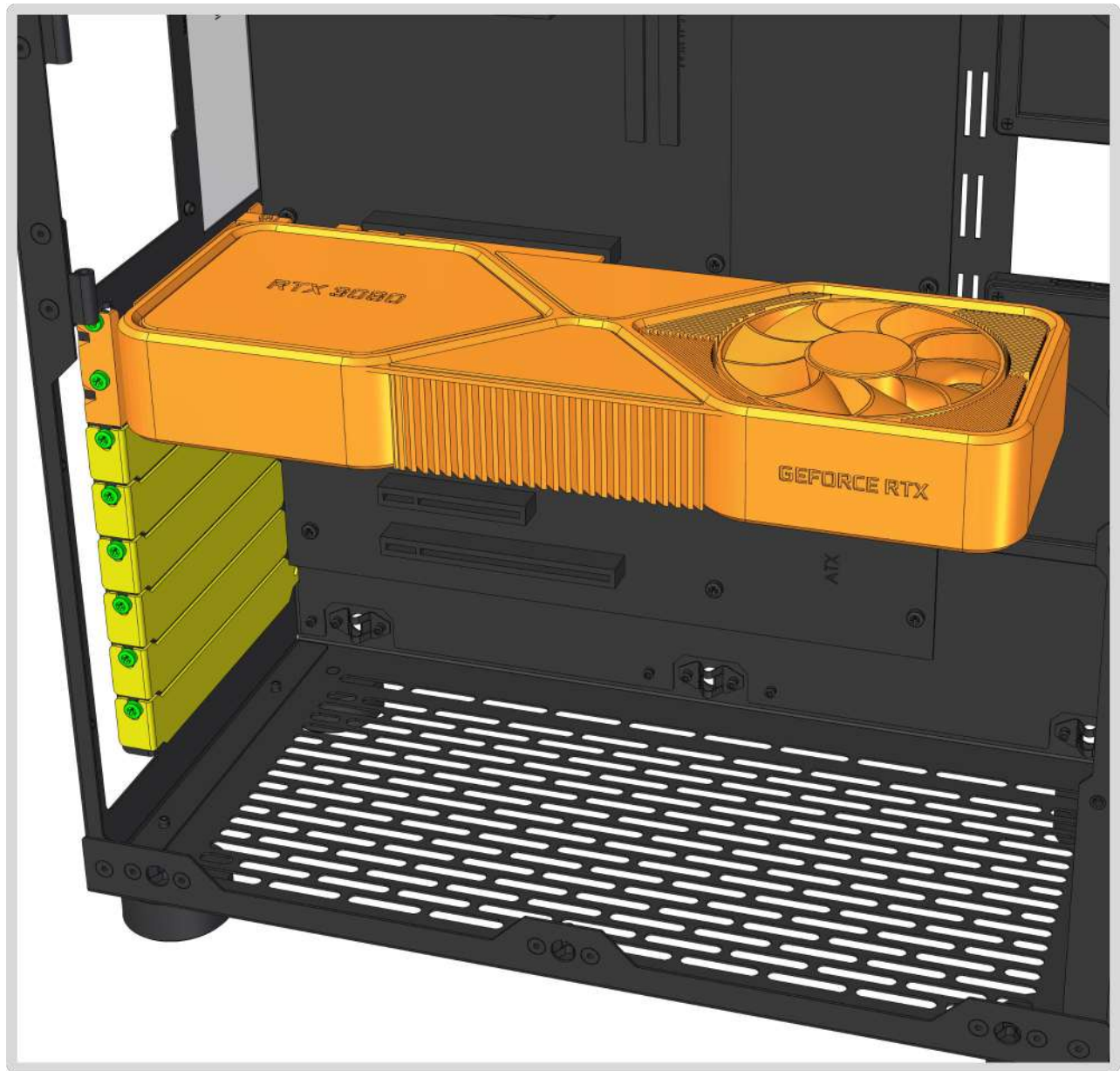
Then the whole assembly is secured to the chassis with **4x M3 x 5mm FLAT HEAD** screws.



PCIe CARD MOUNTING

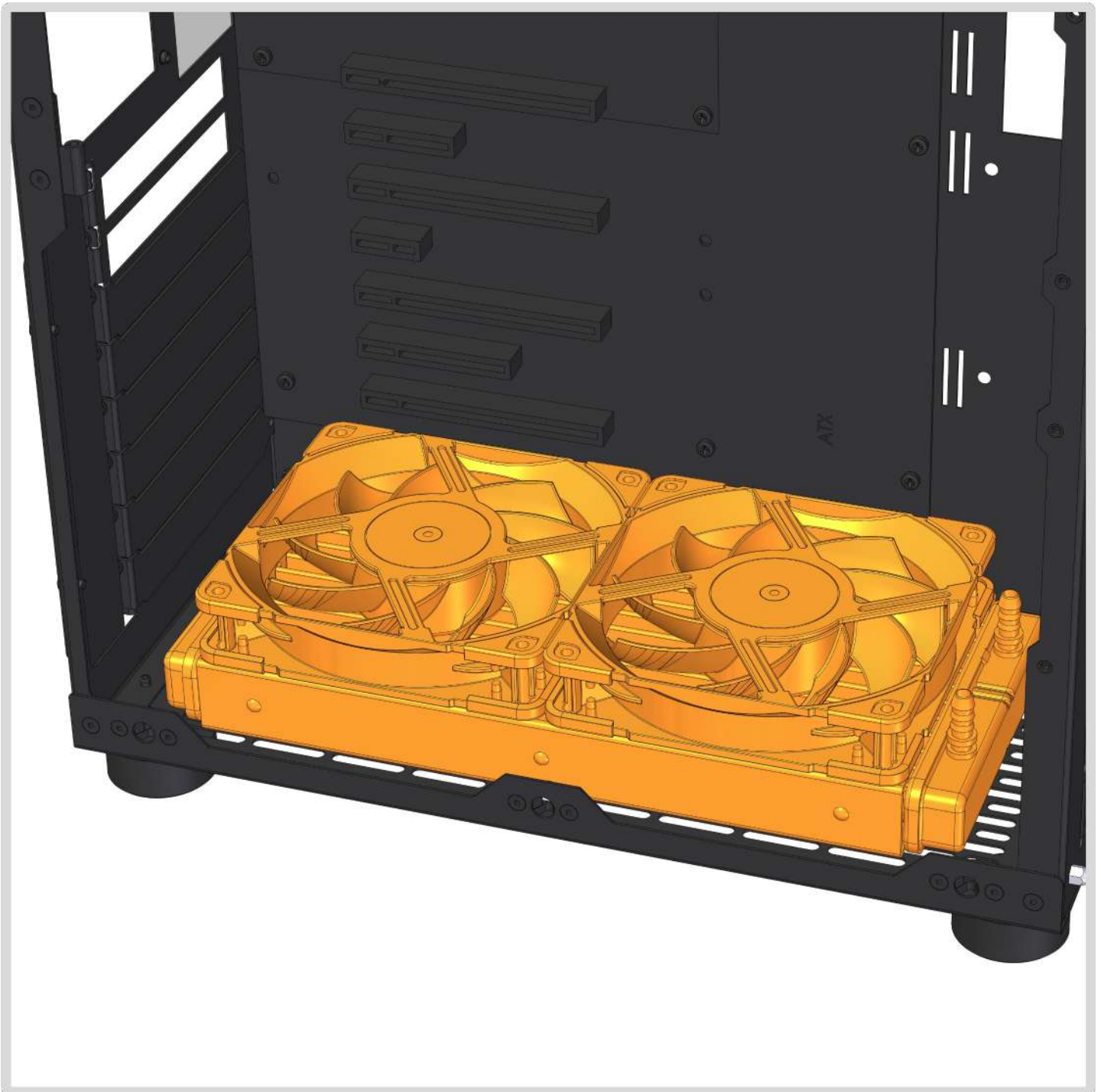
The Cerberus X has eight PCIe Expansion Card Slots for Quad SLI/
Crossfire/Quadro Sync support (up to 330mm long x 150mm tall)

Secure Cards / Slot Covers with **M3 x 6mm PAN HEAD** screws.



AIO MOUNTING

The Cerberus X support a 240mm radiator with 25mm fans. We recommend the radiator be mounted with the hoses positioned at the front of the case as shown below.



AIO MOUNTING

The Cerberus X supports a 140mm radiator with 25mm fans.
Mounted on the front internal top portion of the case.

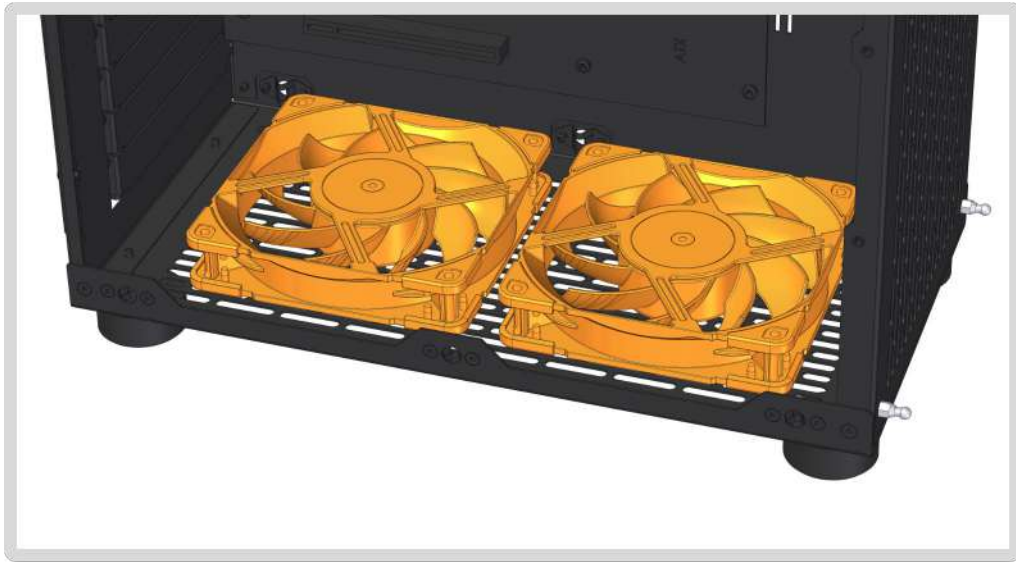
Note: Use image below for correct orientation, location and position of radiator and fan.



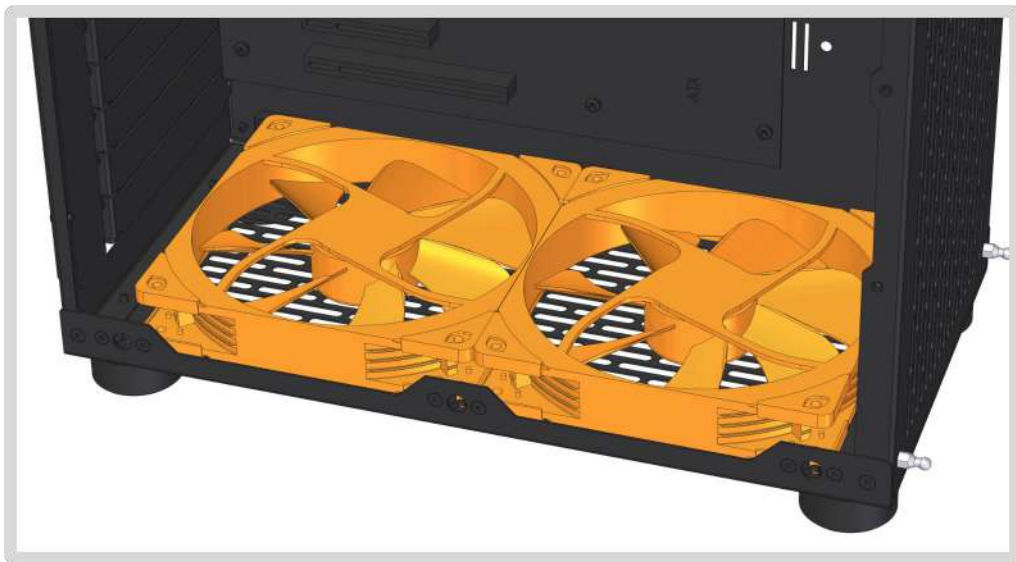
FAN MOUNTING

The following pages will show all the different fan sizes and locations they can be mounted in the Cerberus X cases.

Bottom location



120mm x 25mm Fans



140mm x 25mm Fans

FAN MOUNTING

Rear location



92mm Fan mounted SFX internal Plate.

Note: Must run SFX Internal kit.

FAN MOUNTING

Top location



120mm x 15mm Fan mounted to Handle Bracket

Handle bracket attaches to chassis with **4x M3 x 5mm FLAT HEAD** screws.



120mm x 15mm Fans mounted to Sub Top Bracket

Sub Top Bracket attaches to chassis with **4x M3 x 5mm FLAT HEAD** screws.